

SMART SOLUTIONS FOR THE LABELING INDUSTRY

MOTORIZED CORE HOLDER XL



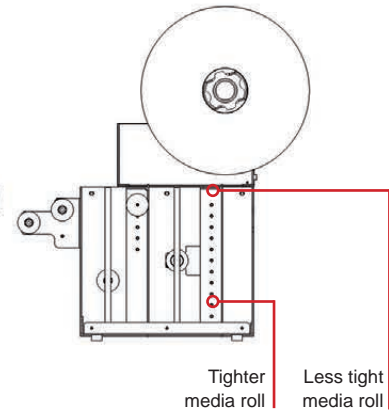
model **MCH51URXL**

MCH Unwinder
Maximum OD Roll 10" (250mm)
Maximum Media Width 9.45" (240mm)
Speed 51rpm



model **MCH51RUXL**

MCH Rewinder
Maximum OD Roll 10" (250mm)
Maximum Media Width 9.45" (240mm)
Speed 51rpm



Our MCH XL Rewinders & Unwinders are the perfect companions to most digital inkjet label printers. Thanks to its revolutionary design and solidly manufactured quality, the MCH XLs are perfect for high usage and heavy duty jobs.

Roll diameter and weight will never be a problem again!

The MCH XLs can handle labels up to 9.45" (240mm) wide, and rewind or unwind rolls with OD up to 10" (250mm). Rolls are rewinded/unwinded onto/from a 3" (76mm) core holder.

Thanks to the clutch system in place, it is possible to obtain different levels of roll tightness. The below image will help you figure out the level you want the system to rewind/unwind your rolls.

The MCH XL s can be configured as standalone rewriter or unwinder, or as a complete roll to roll system (unwinder + printer plate + rewriter) for use with most digital inkjet label printers available on the market.

MCH Roll to Roll System
(Unwinder + Rewinder)
model **MCH51R2RXL**

Maximum OD Roll 10" (250mm)
Maximum Media Width 9.45" (240mm)
Speed 51rpm



Roll to roll system